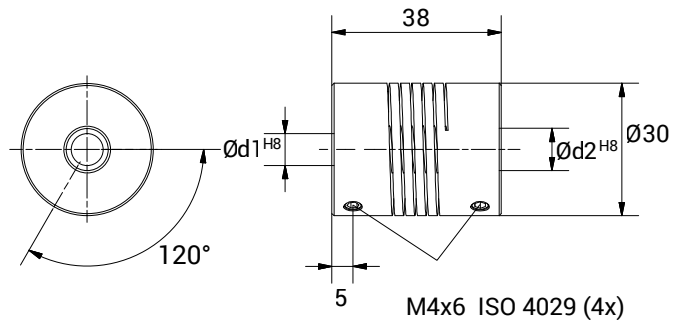


GEAG 3038



CHARACTERISTICS

- Coupling obtained from one piece of material.
- Suited to countless applications. Backlash, vibration and maintenance free.
- Unique misalignment correction.
- High torque rigidity.



| TECHNICAL DATA | | |
|---------------------------|-------------------|--------------------|
| Maximum speed | min ⁻¹ | 8.000 |
| Maximum torque | Nm | 1,5 |
| Radial misalignment max. | mm. | ± 0,3 |
| Axial misalignment max. | mm. | ± 0,5 |
| Angular misalignment max. | degree | ± 4 |
| Torsional stiffness | Nm/rad | 21 |
| Radial stiffness | N/mm | 60 |
| Moment of inertia | gcm ² | 76 |
| Clamping torque max. | Ncm | 120 |
| Working temperature range | °C | -30/+150 |
| Weight | g | 60 |
| Material | | Anodised aluminium |

| DIMENSIONS | | |
|---|-----|---------------------------------------|
| External diameter | Ø | 30 |
| Length | mm. | 38 |
| Screw position | mm. | 5 |
| Screw thread | | M 4x6 |
| Standard hole combinations d1 H8 / d2 H8 | mm. | 10/10 - 10/12 - 10/14 - 12/12 - 14/14 |