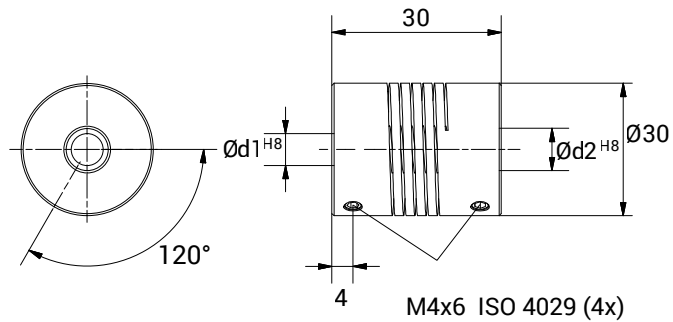


GEAG 3030



CHARACTERISTICS

- Coupling obtained from one piece of material.
- Suited to countless applications. Backlash, vibration and maintenance free.
- Unique misalignment correction.
- High torque rigidity.



TECHNICAL DATA		
Maximum speed	min ⁻¹	8.000
Maximum torque	Nm	1,5
Radial misalignment max.	mm.	± 0,3
Axial misalignment max.	mm.	± 0,5
Angular misalignment max.	degree	± 4
Torsional stiffness	Nm/rad	21
Radial stiffness	N/mm	60
Moment of inertia	gcm ²	57
Clamping torque max.	Ncm	120
Working temperature range	°C	-30/+150
Weight	g	45
Material		Anodised aluminium

DIMENSIONS		
External diameter	Ø	30
Length	mm.	30
Screw position	mm.	4
Screw thread		M 4x6
Standard hole combinations d1 H8 / d2 H8	mm.	10/10 - 10/12 - 10/14 - 12/12