

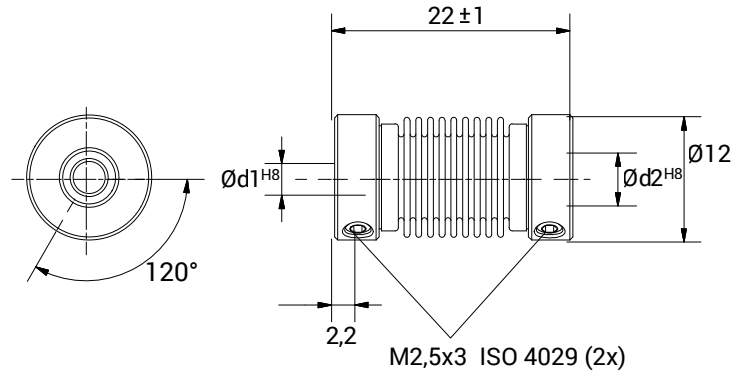
GSBG 1222



CHARACTERISTICS



- Bellows coupling in a very small design with a length of 22 mm and a diameter of 12 mm.
- Screw fixing system.
- Coupling realised with a non-magnetic bellow made of bronze and hubs made of nickel-plated brass.



TECHNICAL DATA		
Maximum speed	min ⁻¹	10.000
Maximum torque	Ncm	15
Radial misalignment max.	mm.	± 0,2
Axial misalignment max.	mm.	± 0,4
Angular misalignment max.	degree	± 2,5
Torsional stiffness	Nm/rad	45
Radial stiffness	N/mm	30
Moment of inertia	gcm ²	1,8
Clamping torque max.	Ncm	50
Working temperature range	°C	-40/+140
Weight	g	8
Hubs material		Brass nickel-plated
Bellow material		Bronze nickel-plated

DIMENSIONS		
External diameter	Ø	12
Length	mm.	22
Screw position	mm.	2,2
Screw thread		M 2,5x3
Standard hole combinations d1 H8 / d2 H8	mm.	2/2 - 2/3 - 2/4 - 2/5 - 2/6 - 3/3 3/4 - 3/5 - 3/6 - 4/4 - 4/5 - 4/6 5/5 - 5/6 - 6/6