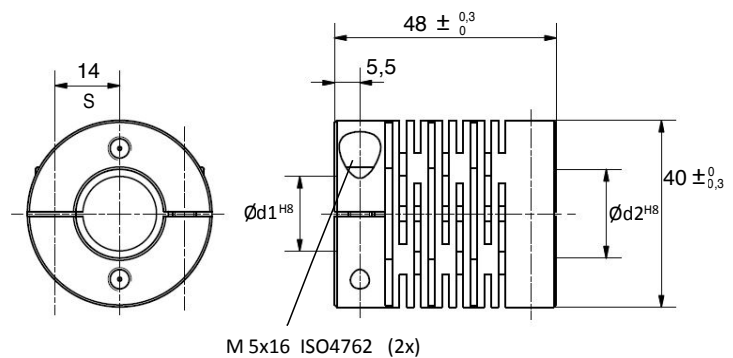


# GMAV 4048



## CHARACTERISTICS

- Coupling realised from one piece of material.
- High maximum torque.
- Backlash, vibration and maintenance free.
- Unique misalignment correction, high torque rigidity.



TECHNICAL DATA		
Maximum speed	min <sup>-1</sup>	5.000
Maximum torque	Nm	15
Radial misalignment max.	mm.	± 0,3
Axial misalignment max.	mm.	± 0,3
Angular misalignment max.	degree	± 1
Torsional stiffness	Nm/rad	335
Radial stiffness	N/mm	230
Moment of inertia	gcm <sup>2</sup>	228
Clamping torque max.	Ncm	500
Working temperature range	°C	-40/+140
Weight	g	101
Material		Aluminium

DIMENSIONS		
External diameter	∅	40
Length	mm.	48
Screw thread		M 5x16
Screw position	mm.	5,5
S	mm.	14
Standard hole combinations d1 H8/ d2 H8	mm.	16/19 - 16/20 - 18/19 - 18/20 19/19 - 19/20 - 20/20