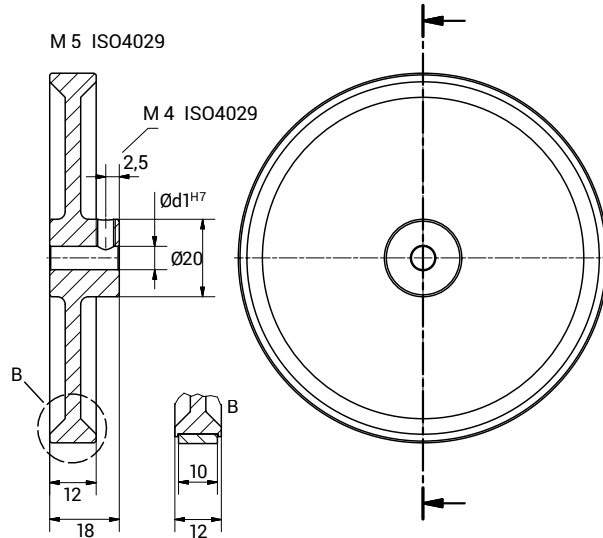


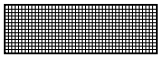
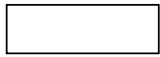
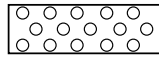
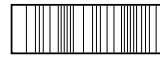
# RM 300



## CHARACTERISTICS

- Measuring wheels made of aluminum with different running surface (smooth, knobbed, ribbed or cross-knurlled surface) suitable for linear measurement of a wide range of materials.
- Thanks to the very good concentricity property it is possible to obtain the maximum measuring accuracy also with high speed.



| TECHNICAL DATA     |                  | RMAR 300  | RMAP300  | RMAN 300  | RMAG 300  |
|--------------------|------------------|---|--|---|---|
| Material core      |                  | Aluminium   | Aluminium  | Aluminium   | Aluminium   |
| Material surface   |                  | Aluminium   | Polyurethane   | Polyurethane  | Polyurethane  |
| Surface structure  |                  | Cross-hatched knurling  | Smooth   | Studded   | Corrugated  |
| Profile            |                  |  |  |  |  |
| Circumference      | mm.              | 300±0,2   | 300±0,2  | 300±0,2   | 300±0,2   |
| Moment of inertia  | gcm <sup>2</sup> | 1,42x10 <sup>3</sup>  | 1,33x10 <sup>3</sup>   | 1,11x10 <sup>3</sup>  | 1,33x10 <sup>3</sup>  |
| Weight             | gr.              | 110   | 110  | 110   | 110   |
| Application fields |                  | Cardboard, wood, textile, rubber, soft plastic                                      | Steel profile, painted surface, plastic, cardboard, wood, textiles, wire, leather    | Raw fabrics, cable gauge, cardboard, wood, plastic                                    | Painted surface, plastic, cardboard, wood, textiles, glass                            |

## STANDARD HOLES

4 - 6 - 8 - 10