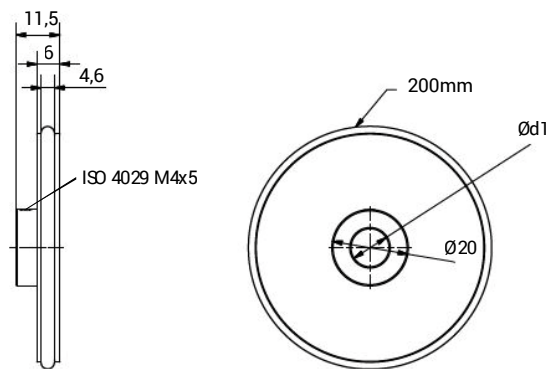


RM 200 O-RING



CHARACTERISTICS

- Measuring wheel with o-ring.



TECHNICAL DATA		
Material core	Aluminium	
Material surface	NBR 70	
Surface structure	O-ring	
Circumference	mm.	200±0,2
Moment of inertia	gcm ²	0,2x10 ³
Weight	gr.	48
Application fields	Cardboard, wood, painted surface, synthetics	

STANDARD HOLES
6 - 8 - 10