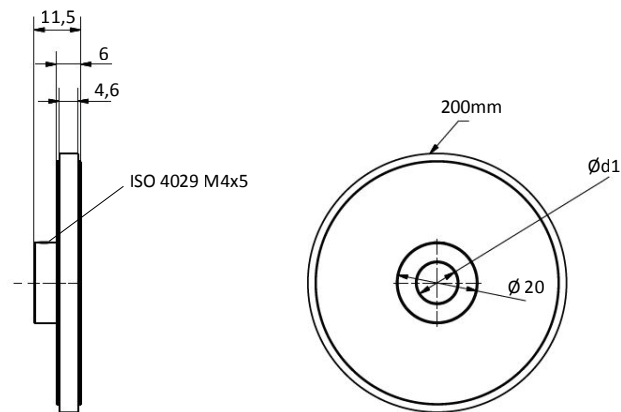
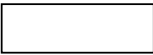


RM 200 COMPACT

CHARACTERISTICS

- Measuring wheel made of aluminium with smooth running surface.



TECHNICAL DATA	
Material core	Aluminium
Material surface	Polyurethane
Surface structure	Smooth
Profile	
Circumference	mm. 200±0,2
Moment of inertia	gcm ² 0,2x10 ³
Weight	gr. 51
Application fields	Steel profile, painted surface, rubber, cardboard, wood, textiles, wire, leather

STANDARD HOLES

4 - 6 - 8 - 10