

GSYG 2035

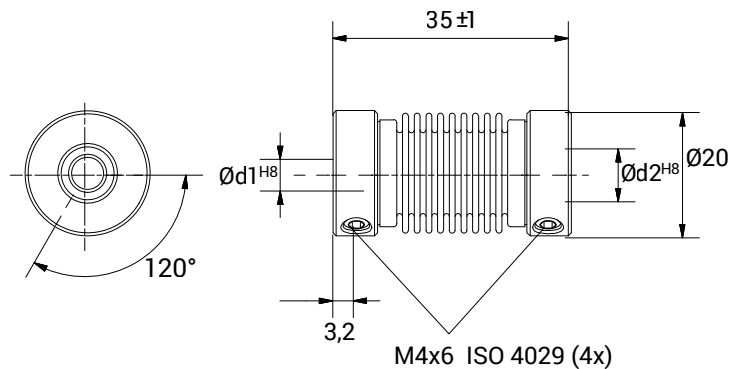
STAINLESS STEEL AISI 316L



CHARACTERISTICS



- Couplings made up in stainless steel AISI 316L, characterised by high corrosion resistance to chlorides and other aggressive environments like seawater, fuels, hydrocarbons, solvents and many chemicals.
- Unique misalignment correction capacity.
- High torque rigidity.
- Backlash and vibration free.



TECHNICAL DATA		
Maximum speed	min ⁻¹	10.000
Maximum torque	Nm	1
Radial misalignment max.	mm.	± 0,3
Axial misalignment max.	mm.	± 0,5
Angular misalignment max.	degree	± 4
Torsional stiffness	Nm/rad	140
Radial stiffness	N/mm	10
Moment of inertia	gcm ²	20
Clamping torque max.	Ncm	70
Working temperature range	°C	-40 / 200
Weight	g	33
Hubs material		Stainless steel AISI 316L
Bellow material		Stainless steel AISI 316L

DIMENSIONS		
External diameter	Ø	20
Length	mm.	35
Screw position	mm.	3,2
Screw thread		M 4x6
Standard hole combinations d1 H8 / d2 H8	mm.	6/6 - 6/10 - 6/12 - 10/10 10/12 - 12/12