

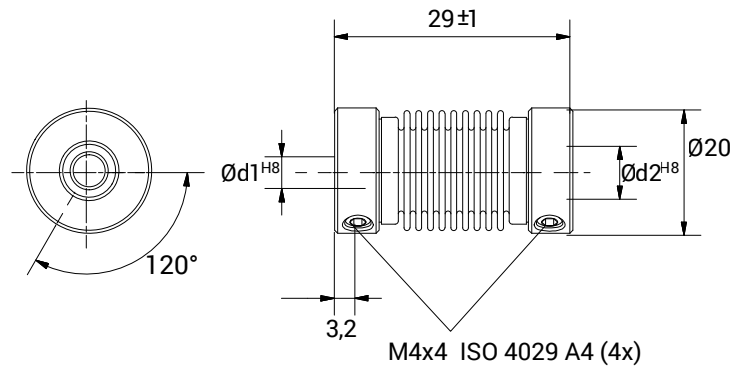
GSYG 2029

STAINLESS STEEL AISI 316L



CHARACTERISTICS

- Couplings made up in stainless steel AISI 316L, characterised by high corrosion resistance to chlorides and other aggressive environments like seawater, fuels, hydrocarbons, solvents and many chemicals.
- Unique misalignment correction capacity.
- High torque rigidity.
- Backlash and vibration free.



TECHNICAL DATA		
Maximum speed	min ⁻¹	10.000
Maximum torque	Nm	1,2
Radial misalignment max.	mm.	$\pm 0,25$
Axial misalignment max.	mm.	$\pm 0,4$
Angular misalignment max.	degree	± 4
Torsional stiffness	Nm/rad	150
Radial stiffness	N/mm	25
Moment of inertia	gcm ²	18
Clamping torque max.	Ncm	70
Working temperature range	°C	-40 / 200
Weight	g	31,5
Hubs material		Stainless steel AISI 316L
Bellow material		Stainless steel AISI 316L

DIMENSIONS		
External diameter	\varnothing	20
Length	mm.	29
Screw position	mm.	3,2
Screw thread		M 4x4
Standard hole combinations d1 H8 / d2 H8	mm.	6/6 - 6/10 - 6/12 - 10/10 10/12 - 12/12