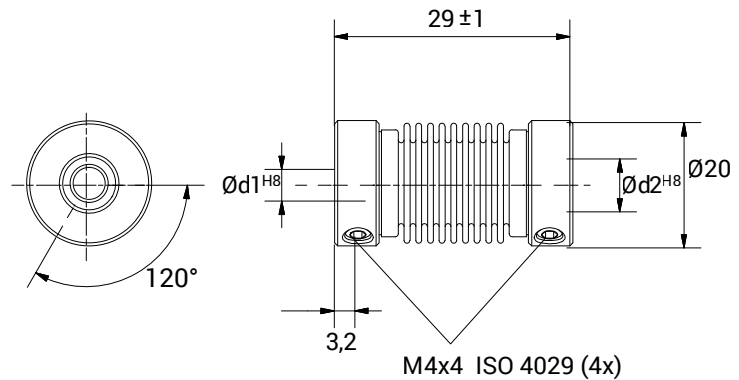


CHARACTERISTICS



- Coupling obtained from two anodized aluminium hubs with special steel bellows.
- Unique misalignment correction capacity.
- High torque rigidity.
- Backlash and vibration free.
- Outstanding servo control.
- Screw fixing system.



TECHNICAL DATA		
Maximum speed	min ⁻¹	10.000
Maximum torque	Nm	1,2
Radial misalignment max.	mm.	± 0,25
Axial misalignment max.	mm.	± 0,4
Angular misalignment max.	degree	± 4
Torsional stiffness	Nm/rad	150
Radial stiffness	N/mm	25
Moment of inertia	gcm ²	8
Clamping torque max.	Ncm	150
Working temperature range	°C	-40/+140
Weight	g	15
Hubs material		Anodised aluminium
Bellow material		Stainless steel

DIMENSIONS		
External diameter	Ø	20
Length	mm.	29
Screw position	mm.	3,2
Screw thread		M 4x4
Standard hole combinations d1 H8 / d2 H8	mm.	4/4 - 4/5 - 4/6 - 4/6,35 - 4/8 - 4/9,52 4/10 - 4/12 - 5/5 - 5/6 - 5/6,35 - 5/8 5/9,52 - 5/10 - 5/12 - 6/6 - 6/6,35 - 6/8 6 /9,52 - 6/10 - 6/12 - 6,35/6,35 - 6,35/8 6,35/9,52 - 6,35/10 - 6,35/12 - 8/8 8/9,52 - 8/10 - 8/12 - 9,52/9,52 - 9,52/10 9,52/12 - 10/10 - 10/12 - 12/12