

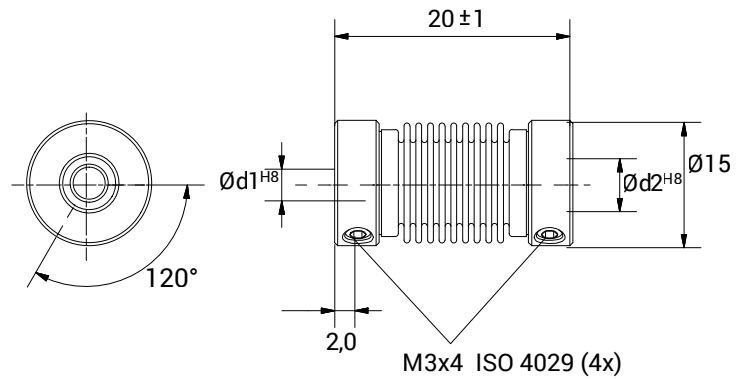
GSXG 1520



CHARACTERISTICS



- Coupling obtained from two anodized aluminium hubs with special steel bellows.
- Unique misalignment correction capacity.
- High torque rigidity.
- Backlash and vibration free.
- Outstanding servo control.
- Screw fixing system.



TECHNICAL DATA		
Maximum speed	min ⁻¹	10.000
Maximum torque	Ncm	40
Radial misalignment max.	mm.	$\pm 0,2$
Axial misalignment max.	mm.	$\pm 0,4$
Angular misalignment max.	degree	± 3
Torsional stiffness	Nm/rad	90
Radial stiffness	N/mm	40
Moment of inertia	gcm ²	2
Clamping torque max.	Ncm	70
Working temperature range	°C	-40/+140
Weight	g	6
Hubs material		Anodised aluminium
Bellow material		Stainless steel

DIMENSIONS		
External diameter	\varnothing	15
Length	mm.	20
Screw position	mm.	2
Screw thread		M 3x4
Standard hole combinations d1 H8 / d2 H8	mm.	2/2 - 2/3 - 2/4 - 2/5 - 2/6 - 2/8 - 3/3 3/4 - 3/5 - 3/6 - 3/8 - 4/4 - 4/5 - 4/6 4/8 - 5/5 - 5/6 - 5/8 - 6/6 - 6/8 - 8/8