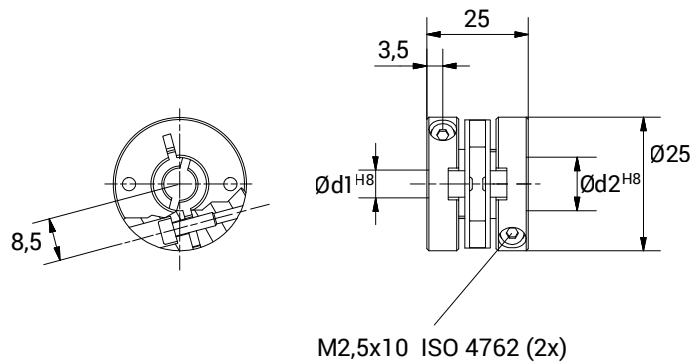


GLPV 2525



CHARACTERISTICS

- Electrically insulating.
- Vibration free.
- High speed permissible.
- High torque rigidity.
- Good misalignment correction.



TECHNICAL DATA		
Maximum speed	min ⁻¹	12.000
Maximum torque	Ncm	40
Radial misalignment max.	mm.	± 0,25
Axial misalignment max.	mm.	± 0,4
Angular misalignment max.	degree	± 2,5
Torsional stiffness	Nm/rad	22
Radial stiffness	N/mm	60
Moment of inertia	gcm ²	15
Clamping torque max.	Ncm	65
Working temperature range	°C	-10/+80
Weight	g	18
Hubs material		Anodised aluminium
Body material		Polyamid 6.6 fibreglas reinforced

DIMENSIONS		
External diameter	Ø	25
Lenght	mm.	25
Screw thread		M 2,5x10
Screw position	mm.	3,5
S	mm.	8,5
Standard hole combinations d1 H8/ d2 H8	mm.	5/5 - 5/6 - 5/8 - 5/10 - 5/12 - 6/6 6/8 - 6/10 - 6/12 - 8/8 - 8/10 - 8/12 10/10 - 10/12 - 12/12