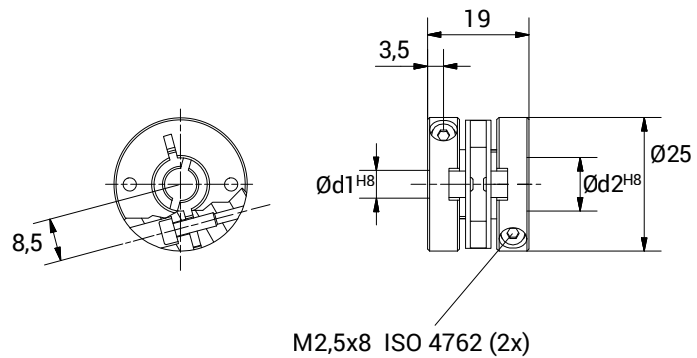


GLPV 2519



CHARACTERISTICS

- Electrically insulating.
- Vibration free.
- High speed permissible.
- High torque rigidity.
- Good misalignment correction.



TECHNICAL DATA		
Maximum speed	min ⁻¹	12.000
Maximum torque	Ncm	40
Radial misalignment max.	mm.	± 0,25
Axial misalignment max.	mm.	± 0,4
Angular misalignment max.	degree	± 2,5
Torsional stiffness	Nm/rad	22
Radial stiffness	N/mm	60
Moment of inertia	gcm ²	13,5
Clamping torque max.	Ncm	65
Working temperature range	°C	-10/+80
Weight	g	16
Hubs material		Anodised aluminium
Body material		Polyamid 6.6 fibreglas reinforced

DIMENSIONS		
External diameter	Ø	25
Length	mm.	19
Screw thread		M 2,5x8
Screw position	mm.	3,5
S	mm.	8,5
Standard hole combinations d1 H8/ d2 H8	mm.	4/4 - 4/5 - 4/6 - 4/8 - 4/10 - 5/5 - 5/6 5/8 - 5/10 - 6/6 - 6/8 - 6/10 - 8/8 8/10 - 10/10