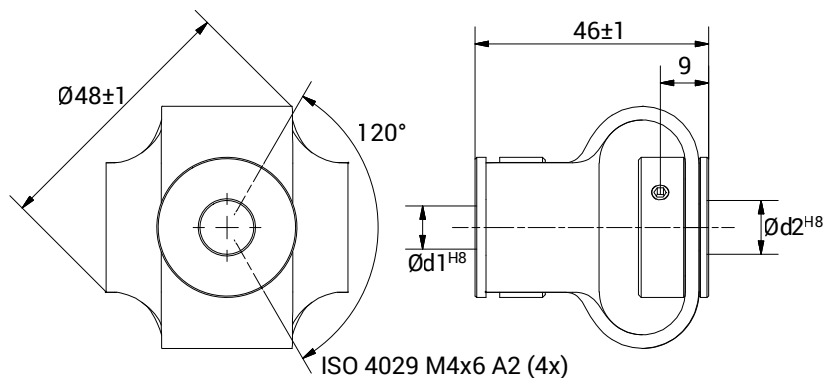


GGPGX 4848



CHARACTERISTICS

- Version with hubs in stainless steel AISI 303.
- Unique radial, lateral and angular misalignment correction.
- Thermally and electrically insulating.
- Maintenance free.
- High resistance to petrol, oil, benzene, hydrocarbons, alcohol, solvents and many other chemicals.
- Also available in screw and key version.



TECHNICAL DATA		
Maximum speed	min ⁻¹	3.000
Maximum torque	Nm	2
Radial misalignment max.	mm.	± 3
Axial misalignment max.	mm.	± 4
Angular misalignment max.	degree	± 12
Torsional stiffness	Nm/rad	28
Radial stiffness	N/mm	7
Moment of inertia	gcm ²	106
Clamping torque max.	Ncm	100
Working temperature range	°C	-30/+80
Weight	g	88
Hubs material		Stainless steel AISI 303
Body material		Polyurethane Hytrel®

DIMENSIONS		
External diameter	Ø	48
Length	mm.	46
Screw position	mm.	9
Screw thread		M 4x6
Standard hole combinations d1 H8 / d2 H8	mm.	6/6 - 6/8 - 6/10 - 6/12 - 8/8 - 8/10 8/12 - 10/10 - 10/12 - 12/12