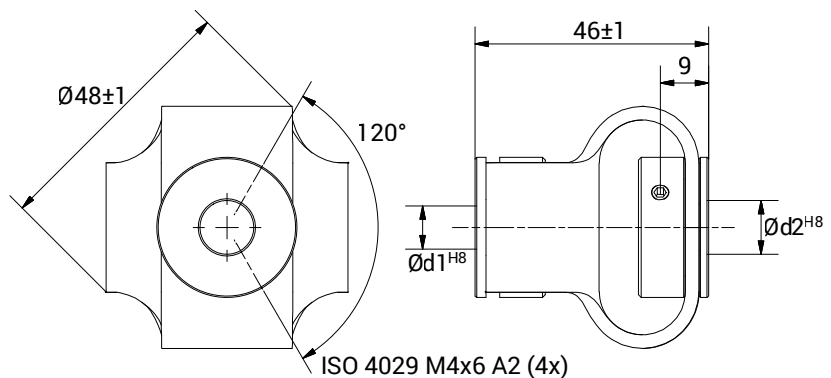


GGPGA 4848



CHARACTERISTICS

- Coupling GGPGA is realised with FDA-compliant plastic and hubs in stainless steel AISI 316L suitable for food and medical industry.
- Unique radial, lateral and angular misalignment correction.
- Thermally and electrically insulating.
- Maintenance free.



TECHNICAL DATA		
Maximum speed	min ⁻¹	3.000
Maximum torque	Nm	2
Radial misalignment max.	mm.	± 3
Axial misalignment max.	mm.	± 4
Angular misalignment max.	degree	± 12
Torsional stiffness	Nm/rad	28
Radial stiffness	N/mm	7
Moment of inertia	gcm ²	106
Clamping torque max.	Ncm	180
Working temperature range	°C	-30/+80
Weight	g	90
Hubs material		Stainless steel AISI 316L
Body material		FDA standard plastic

DIMENSIONS		
External diameter	\varnothing	48
Length	mm.	46
Screw position	mm.	9
Screw thread		M 4x6
Standard hole combinations d1 H8 / d2 H8	mm.	10/10 - 10/12 - 10/14 - 12/12 12/14 - 14/14