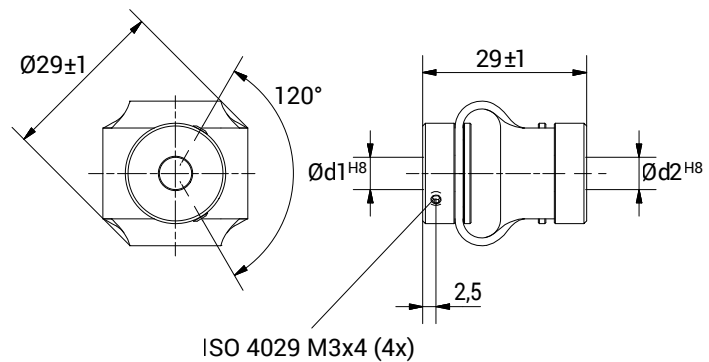


GGPGA 2928



CHARACTERISTICS

- Coupling GGPGA is realised with FDA-compliant plastic and hubs in stainless steel AISI 316L suitable for food and medical industry.
- Unique radial, lateral and angular misalignment correction.
- Thermally and electrically insulating.
- Maintenance free.



TECHNICAL DATA		
Maximum speed	min ⁻¹	3.000
Maximum torque	Nm	0,5
Radial misalignment max.	mm.	± 2
Axial misalignment max.	mm.	± 2
Angular misalignment max.	degree	± 10
Torsional stiffness	Nm/rad	13
Radial stiffness	N/mm	13
Moment of inertia	gcm ²	41
Clamping torque max.	Ncm	80
Working temperature range	°C	-30/+80
Weight	g	35
Hubs material		Stainless steel AISI 316L
Body material		FDA standard plastic

DIMENSIONS		
External diameter	Ø	29
Length	mm.	29
Screw position	mm.	2,5
Screw thread		M 3x4
Standard hole combinations d1 H8 / d2 H8	mm.	6/6 - 6/8 - 6/10 - 8/8 - 8/10 - 10/10