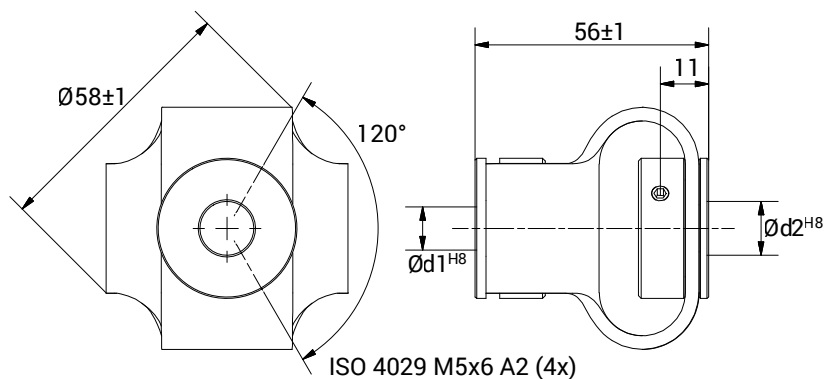


GGPG 5658



CHARACTERISTICS

- Unique radial, lateral and angular misalignment correction.
- Thermally and electrically insulating.
- Maintenance free.
- High resistance to petrol, oil, benzene, hydrocarbons, alcohol, solvents and many other chemicals.
- Also available in screw and key versions.



TECHNICAL DATA		
Maximum speed	min ⁻¹	3.000
Maximum torque	Nm	5
Radial misalignment max.	mm.	± 5
Axial misalignment max.	mm.	± 5
Angular misalignment max.	degree	± 15
Torsional stiffness	Nm/rad	43
Radial stiffness	N/mm	9
Moment of inertia	gcm ²	220
Clamping torque max.	Ncm	300
Working temperature range	°C	-30/+80
Weight	g	140
Hubs material		Steel galvanized
Body material		Polyurethane Hytrel®

DIMENSIONS		
External diameter	∅	58
Length	mm.	56
Screw position	mm.	11
Screw thread		M 5x6
Standard hole combinations d1 H8 / d2 H8	mm.	10/10 - 10/12 - 10/14 - 10/16 10/18 - 10/19 - 12/12 - 12/14 12/16 - 12/18 - 12/19 - 14/14 14/16 - 14/18 - 14/19 - 16/16 16/18 - 16/19 - 18/18 - 18/19 - 19/19