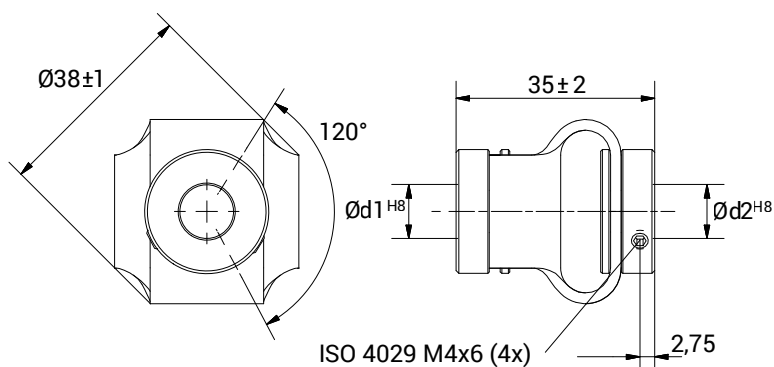


GGPG 3835



CHARACTERISTICS

- Unique radial, lateral and angular misalignment correction.
- Thermally and electrically insulating.
- Maintenance free.
- High resistance to petrol, oil, benzene, hydrocarbons, alcohol, solvents and many other chemicals.
- Also available in screw and key versions.



TECHNICAL DATA		
Maximum speed	min ⁻¹	3.000
Maximum torque	Nm	1,5
Radial misalignment max.	mm.	± 2,5
Axial misalignment max.	mm.	± 3
Angular misalignment max.	degree	± 10
Torsional stiffness	Nm/rad	25
Radial stiffness	N/mm	15
Moment of inertia	gcm ²	104
Clamping torque max.	Ncm	200
Working temperature range	°C	-30/+80
Weight	g	48
Hubs material		Steel galvanized
Body material		Polyurethane Hytrel®

DIMENSIONS		
External diameter	Ø	38
Length	mm.	35
Screw position	mm.	2,75
Screw thread		M 4x6
Standard hole combinations d1 H8 / d2 H8	mm.	6/6 - 6/8 - 6/10 - 6/12 - 8/8 - 8/10 8/12 - 10/10 - 10/12 - 12/12