

GEYG 2524

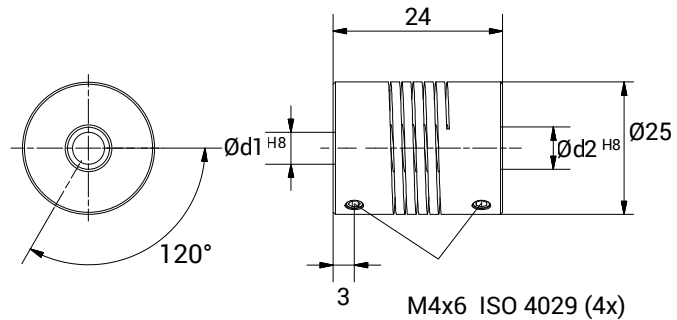
STAINLESS STEEL AISI 316L



CHARACTERISTICS



- Coupling made up from one piece of material realised in stainless steel AISI 316L, characterised by high corrosion resistance to chlorides and other aggressive environments like seawater, fuels, hydrocarbons, solvents and many chemicals.



TECHNICAL DATA		
Maximum speed	min ⁻¹	8.000
Maximum torque	Nm	2
Radial misalignment max.	mm.	± 0,3
Axial misalignment max.	mm.	± 0,5
Angular misalignment max.	degree	± 4
Torsional stiffness	Nm/rad	40
Radial stiffness	N/mm	250
Moment of inertia	gcm ²	64
Clamping torque max.	Ncm	120
Working temperature range	°C	-40/+200
Weight	g	65
Material		Stainless steel AISI 316L

DIMENSIONS		
External diameter	Ø	25
Length	mm.	24
Screw position	mm.	3
Screw thread		M 4x6
Standard hole combinations d1 H8 / d2 H8	mm.	10/10