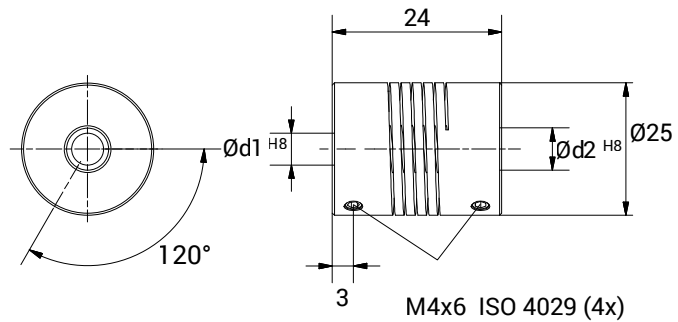


GEXG 2524



CHARACTERISTICS

- Coupling obtained from one piece of material realised in stainless steel AISI 303.
- Screw and clamp fixing system.
- Suited to countless applications.
- Backlash, vibration and maintenance free.
- Unique misalignment correction.
- High torque rigidity.
- Working temperature range: $-40\text{ °C} \div +180\text{ °C}$.



TECHNICAL DATA		
Maximum speed	min ⁻¹	8.000
Maximum torque	Nm	2
Radial misalignment max.	mm.	± 0,3
Axial misalignment max.	mm.	± 0,5
Angular misalignment max.	grad	± 4
Torsional stiffness	Nm/rad	40
Radial stiffness	N/mm	250
Moment of inertia	gcm ²	64
Clamping torque max.	Ncm	120
Weight	g	65
Material		Stainless steel AISI 303

DIMENSIONS		
External diameter	Ø	25
Lenght	mm.	24
Screw position	mm.	3
Screw thread		M 4x6
Standard hole combinations d1 H8 / d2 H8	mm.	6/8 - 6/10 - 8/8 - 8/10 - 10/10