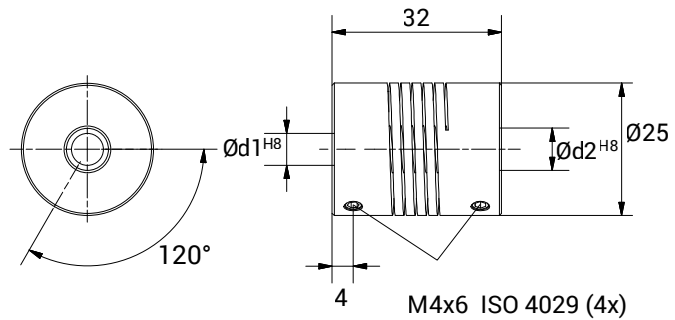


# GEAG 2532



## CHARACTERISTICS

- Coupling obtained from one piece of material.
- Suited to countless applications. Backlash, vibration and maintenance free.
- Unique misalignment correction.
- High torque rigidity.



TECHNICAL DATA		
Maximum speed	min <sup>-1</sup>	8.000
Maximum torque	Nm	1
Radial misalignment max.	mm.	± 0,3
Axial misalignment max.	mm.	± 0,5
Angular misalignment max.	degree	± 4
Torsional stiffness	Nm/rad	18
Radial stiffness	N/mm	50
Moment of inertia	gcm <sup>2</sup>	30
Clamping torque max.	Ncm	120
Working temperature range	°C	-30/+150
Weight	g	35
Material		Anodised aluminium

DIMENSIONS		
External diameter	Ø	25
Length	mm.	32
Screw position	mm.	4
Screw thread		M 4x6
Standard hole combinations d1 H8 / d2 H8	mm.	6/6 - 6/8 - 6/10 - 8/8 - 8/10 - 10/10 10/12 - 12/12