

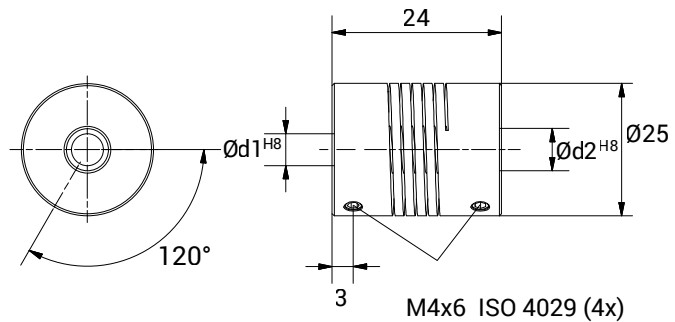
GEAG 2524



CHARACTERISTICS



- Coupling obtained from one piece of material.
- Suited to countless applications. Backlash, vibration and maintenance free.
- Unique misalignment correction.
- High torque rigidity.



TECHNICAL DATA		
Maximum speed	min ⁻¹	8.000
Maximum torque	Nm	1
Radial misalignment max.	mm.	± 0,3
Axial misalignment max.	mm.	± 0,5
Angular misalignment max.	degree	± 4
Torsional stiffness	Nm/rad	20
Radial stiffness	N/mm	60
Moment of inertia	gcm ²	22,2
Clamping torque max.	Ncm	120
Working temperature range	°C	-30/+150
Weight	g	26
Material		Aluminium

DIMENSIONS		
External diameter	Ø	25
Length	mm.	24
Screw position	mm.	3
Screw thread		M 4x6
Standard hole combinations d1 H8 / d2 H8	mm.	6/6 - 6/8 - 6/10 - 8/8 - 8/10 - 10/10 10/12 - 12/12