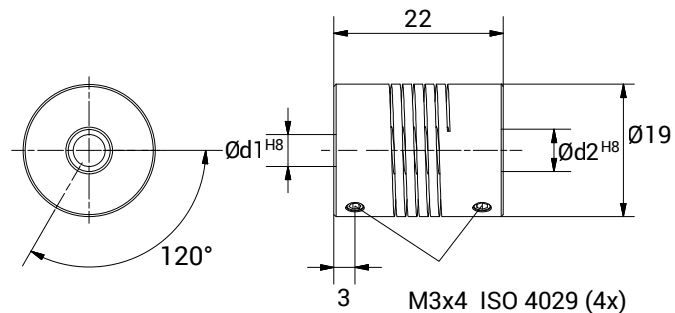


GEAG 1922



CHARACTERISTICS

- Coupling obtained from one piece of material.
- Suited to countless applications. Backlash, vibration and maintenance free.
- Unique misalignment correction.
- High torque rigidity.



TECHNICAL DATA		
Maximum speed	min ⁻¹	8.000
Maximum torque	Ncm	60
Radial misalignment max.	mm.	± 0,25
Axial misalignment max.	mm.	± 0,4
Angular misalignment max.	degree	± 3,5
Torsional stiffness	Nm/rad	9
Radial stiffness	N/mm	40
Moment of inertia	gcm ²	6,7
Clamping torque max.	Ncm	80
Working temperature range	°C	-30/+150
Weight	g	13
Material		Aluminium

DIMENSIONS		
External diameter	Ø	19
Length	mm.	22
Screw position	mm.	3
Screw thread		M 3x4
Standard hole combinations d1 H8 / d2 H8	mm.	4/6 - 5/5 - 6/6 - 6/8 - 8/8