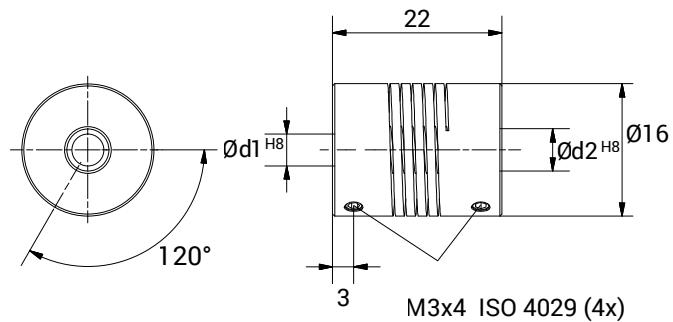


GEAG 1622



CHARACTERISTICS

- Coupling obtained from one piece of material.
- Suited to countless applications. Backlash, vibration and maintenance free.
- Unique misalignment correction.
- High torque rigidity.



TECHNICAL DATA		
Maximum speed	min ⁻¹	8.000
Maximum torque	Ncm	40
Radial misalignment max.	mm.	± 0,2
Axial misalignment max.	mm.	± 0,3
Angular misalignment max.	degree	± 3
Torsional stiffness	Nm/rad	5
Radial stiffness	N/mm	34
Moment of inertia	gcm ²	3,2
Clamping torque max.	Ncm	80
Working temperature range	°C	-30/+150
Weight	g	9,5
Material		Aluminium

DIMENSIONS		
External diameter	Ø	16
Length	mm.	22
Screw position	mm.	3
Screw thread		M 3x4
Standard hole combinations d1 H8 / d2 H8	mm.	3/3 - 3/4 - 3/5 - 4/4 - 4/5 - 4/6 5/5 - 6/6