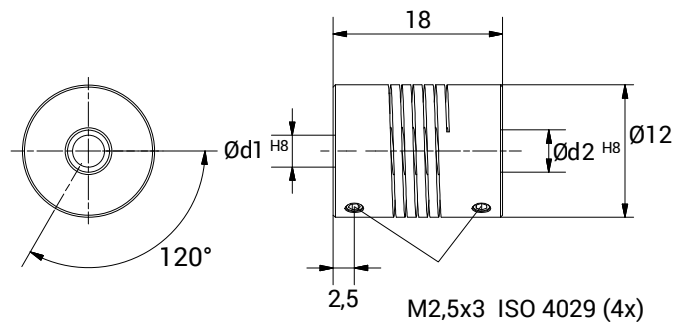


GEAG 1218



CHARACTERISTICS

- Coupling obtained from one piece of material.
- Suited to countless applications. Backlash, vibration and maintenance free.
- Unique misalignment correction.
- High torque rigidity.



TECHNICAL DATA		
Maximum speed	min ⁻¹	8.000
Maximum torque	Ncm	25
Radial misalignment max.	mm.	± 0,15
Axial misalignment max.	mm.	± 0,25
Angular misalignment max.	degree	± 2,5
Torsional stiffness	Nm/rad	2,8
Radial stiffness	N/mm	28
Moment of inertia	gcm ²	0,83
Clamping torque max.	Ncm	35
Working temperature range	°C	-30/+150
Weight	g	4
Material		Aluminium

DIMENSIONS		
External diameter	Ø	12
Length	mm.	18
Screw position	mm.	2,5
Screw thread		M 2,5x3
Standard hole combinations d1 H8 / d2 H8	mm.	2/4 - 3/3 - 3/4 - 4/4 - 4/5