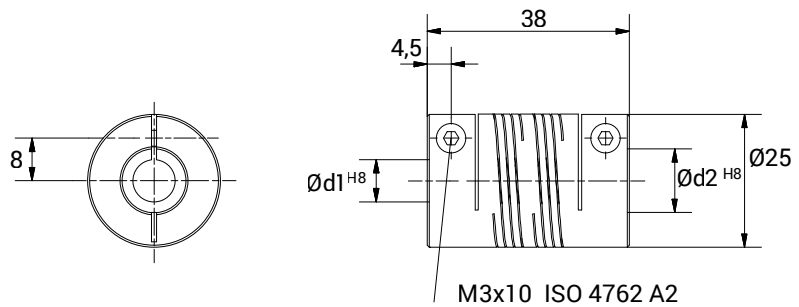


E6XV 2538



CHARACTERISTICS

- Coupling obtained from one piece of material realised in stainless steel AISI 303.
- Clamp fixing system.
- Suited to countless applications.
- Backlash, vibration and maintenance free.
- Unique misalignment correction.
- High torque rigidity.



TECHNICAL DATA		
Maximum speed	min ⁻¹	5.000
Maximum torque	Nm	10
Radial misalignment max.	mm.	± 0,37
Axial misalignment max.	mm.	± 0,25
Angular misalignment max.	degree	± 7
Torsional stiffness	Nm/rad	42
Radial stiffness	N/mm	142
Moment of inertia	gcm ²	101
Clamping torque max.	Ncm	120
Working temperature range	°C	-40/+180
Weight	g	94
Material		Stainless steel AISI 303

DIMENSIONS		
External diameter	∅	25
Length	mm.	38
Screw thread		M 3x10
Screw position	mm.	4,5
S	mm.	8
Standard hole combinations d1 H8 / d2 H8	mm.	8/8 - 8/9,52 - 8/10 - 8/12 9,52/9,52 - 9,52/10 - 9,52/12 10/10 - 10/12 - 12/12