

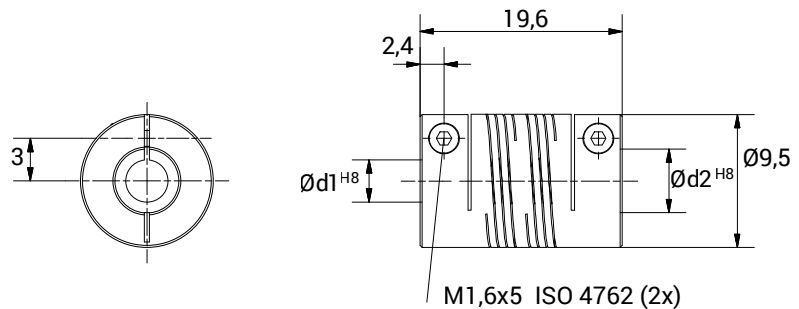
# E6AV 1020



## CHARACTERISTICS



- Coupling obtained from one piece of material with double start.
- Clamp fixing system.
- Suited to countless applications.
- Backlash, vibration and maintenance free.
- Unique misalignment correction.
- High torque rigidity.
- High maximum torque.



TECHNICAL DATA		
Maximum speed	min <sup>-1</sup>	5.000
Maximum torque	Nm	1
Radial misalignment max.	mm.	± 0,12
Axial misalignment max.	mm.	± 0,2
Angular misalignment max.	degree	± 5
Torsional stiffness	Nm/rad	8
Radial stiffness	N/mm	40
Moment of inertia	gcm <sup>2</sup>	0,4
Clamping torque max.	Ncm	25
Working temperature range	°C	-40/+140
Weight	g	2,9
Material		Aluminium

DIMENSIONS		
External diameter	Ø	9,5
Length	mm.	19,6
Screw thread		M 1,6x5
Screw position	mm.	2,4
S	mm.	3
Standard hole combinations d1 H8 / d2 H8	mm.	3/3 - 3/4 - 4/4