

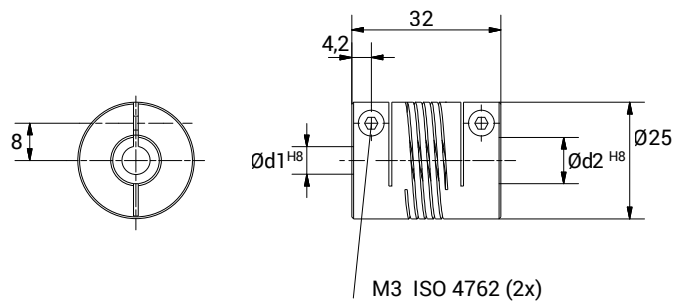
E3YV 2532

STAINLESS STEEL AISI 316L



CHARACTERISTICS

- Coupling made up from one piece of material realised in stainless steel AISI 316L, characterised by high corrosion resistance to chlorides and other aggressive environments like seawater, fuels, hydrocarbons, solvents and many chemicals.



TECHNICAL DATA		
Maximum speed	min ⁻¹	5.000
Maximum torque	Nm	4
Radial misalignment max.	mm.	± 0,13
Axial misalignment max.	mm.	± 0,25
Angular misalignment max.	degree	± 5
Torsional stiffness	Nm/rad	35
Radial stiffness	N/mm	252
Moment of inertia	gcm ²	82
Clamping torque max.	Ncm	120
Working temperature range	°C	-40 / 200
Weight	g	92
Material		Stainless steel AISI 316L

DIMENSIONS		
External diameter	∅	25
Length	mm.	32
Screw thread		M 3x10
Screw position	mm.	4,2
S	mm.	8
Standard hole combinations d1 H8 / d2 H8	mm.	8/8 - 8/9,52 - 8/10 - 8/12 - 10/10 10/12 - 12/12