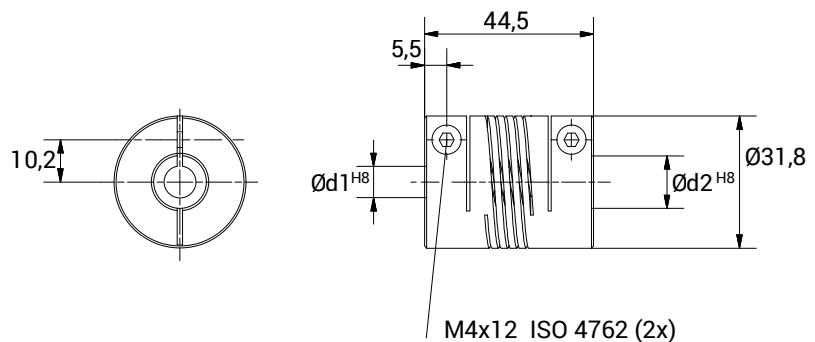


E3AV 3245



CHARACTERISTICS

- Coupling obtained from one piece of material.
- Clamp fixing system.
- Suited to countless applications.
- Backlash, vibration and maintenance free.
- Unique misalignment correction.
- High torque rigidity.
- High maximum torque.



TECHNICAL DATA		
Maximum speed	min ⁻¹	5.000
Maximum torque	Nm	6
Radial misalignment max.	mm.	± 0,13
Axial misalignment max.	mm.	± 0,25
Angular misalignment max.	degree	± 5
Torsional stiffness	Nm/rad	130
Radial stiffness	N/mm	165
Moment of inertia	gcm ²	124
Clamping torque max.	Ncm	150
Working temperature range	°C	-40/140
Weight	g	82
Material		Aluminium

DIMENSIONS		
External diameter	Ø	31,8
Length	mm.	44,5
Screw thread		M 4x12
Screw position	mm.	5,5
S	mm.	10,2
Standard hole combinations d1 H8 / d2 H8	mm.	8/8 - 8/9,52 - 8/10 - 8/12 - 8/14 9,52/9,52 - 9,52/10 - 9,52/12 9,52/14 - 10/10 - 10/12 - 10/14 12/12 - 12/14 - 14/14