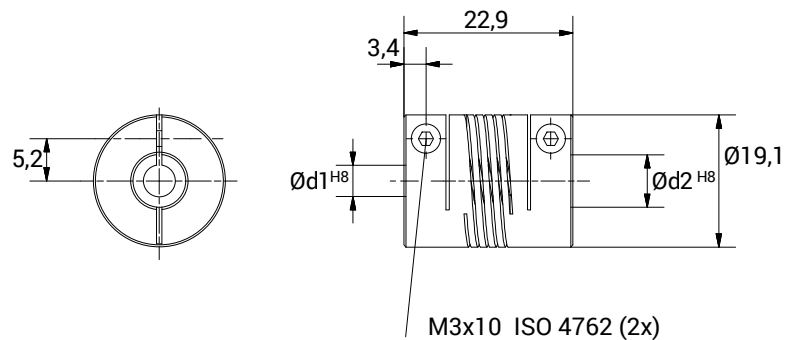


# E3AV 1923



## CHARACTERISTICS

- Coupling obtained from one piece of material.
- Clamp fixing system.
- Suited to countless applications.
- Backlash, vibration and maintenance free.
- Unique misalignment correction.
- High torque rigidity.
- High maximum torque.



TECHNICAL DATA		
Maximum speed	min <sup>-1</sup>	5.000
Maximum torque	Nm	2,5
Radial misalignment max.	mm.	± 0,13
Axial misalignment max.	mm.	± 0,2
Angular misalignment max.	degree	± 5
Torsional stiffness	Nm/rad	40
Radial stiffness	N/mm	130
Moment of inertia	gcm <sup>2</sup>	8
Clamping torque max.	Ncm	120
Working temperature range	°C	-40/+140
Weight	g	15
Material		Aluminium

DIMENSIONS		
External diameter	Ø	19,1
Length	mm.	22,9
Screw thread		M 3x10
Screw position	mm.	3,4
S	mm.	5,2
Standard hole combinations d1 H8 / d2 H8	mm.	4/4 - 4/5 - 4/6 - 4/6,35 - 5/5 - 5/6 5/6,35 - 6/6 - 6/6,35 - 6,35/6,35