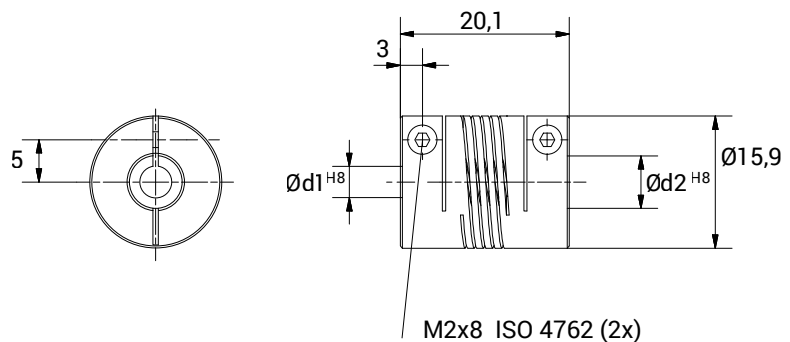


E3AV 1620



CHARACTERISTICS

- Coupling obtained from one piece of material.
- Clamp fixing system.
- Suited to countless applications.
- Backlash, vibration and maintenance free.
- Unique misalignment correction.
- High torque rigidity.
- High maximum torque.



TECHNICAL DATA		
Maximum speed	min ⁻¹	5.000
Maximum torque	Nm	1,5
Radial misalignment max.	mm.	± 0,13
Axial misalignment max.	mm.	± 0,2
Angular misalignment max.	degree	± 5
Torsional stiffness	Nm/rad	22
Radial stiffness	N/mm	143
Moment of inertia	gcm ²	3,2
Clamping torque max.	Ncm	40
Working temperature range	°C	-40/+140
Weight	g	9
Material		Aluminium

DIMENSIONS		
External diameter	Ø	15,9
Length	mm.	20,1
Screw thread		M 2x8
Screw position	mm.	3
S	mm.	5
Standard hole combinations d1 H8 / d2 H8	mm.	5/5 - 5/6 - 5/6,35 - 6/6 - 6/6,35 6,35/6,35