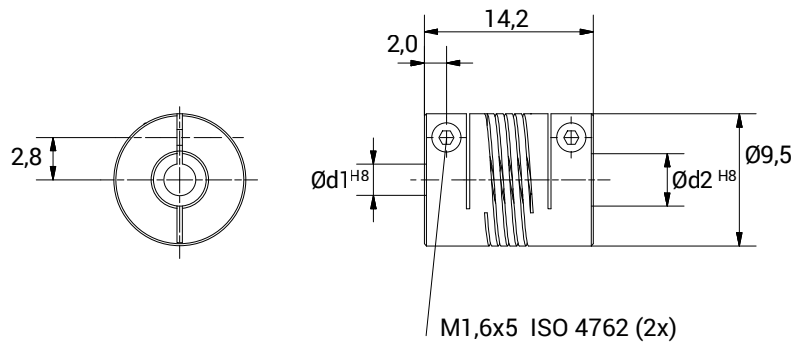


E3AV 1014



CHARACTERISTICS

- Coupling obtained from one piece of material.
- Clamp fixing system.
- Suited to countless applications.
- Backlash, vibration and maintenance free.
- Unique misalignment correction.
- High torque rigidity.
- High maximum torque.



TECHNICAL DATA		
Maximum speed	min ⁻¹	5.000
Maximum torque	Nm	0.4
Radial misalignment max.	mm.	± 0,1
Axial misalignment max.	mm.	± 0,1
Angular misalignment max.	degree	± 3
Torsional stiffness	Nm/rad	3,8
Radial stiffness	N/mm	100
Moment of inertia	gcm ²	0,3
Clamping torque max.	Ncm	30
Working temperature range	°C	-40/+140
Weight	g	2
Material		Aluminium

DIMENSIONS		
External diameter	Ø	9,5
Length	mm.	14,2
Screw thread		M 1,6x5
Screw position	mm.	2
S	mm.	2,8
Standard hole combinations d1 H8 / d2 H8	mm.	2/3 - 2/4 - 3/3 - 3/4 - 4/4